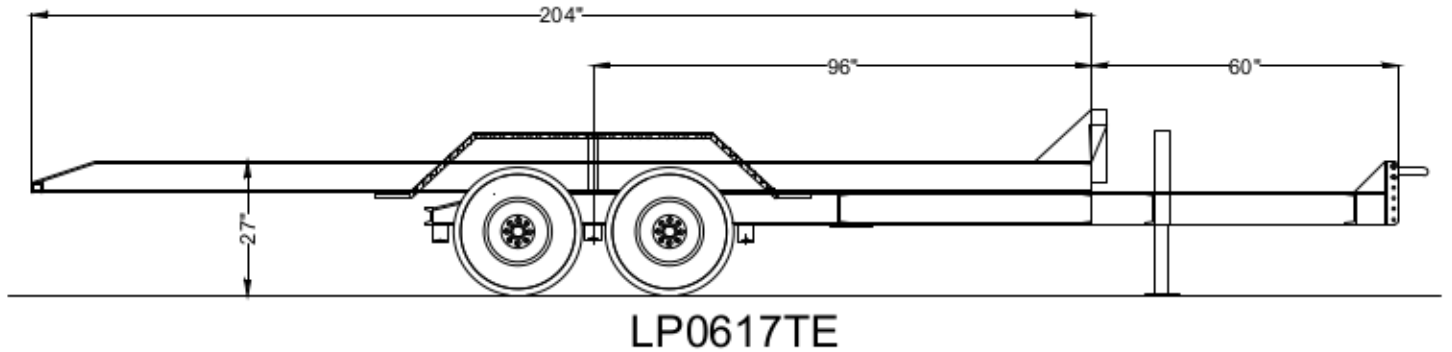




WORKING TRAILERS
FOR A WORKING WORLD



LANDSCAPE 6-TON TILT BED

G.V.W.R	13,800	SUSPENSION	Multi-Leaf 5
G.A.W.R (Wa. Axle)	6,000	TIRE	235 80R x 16 Radial
COUPLER	3" ID Pintle	WHEEL	6 x 16, 8 Lug
SAFETY CHAINS	1/2" w/Safety Latch Hooks	FLOOR	2" Nominal Oak
JACK	12K Drop Leg Jack	LIGHTS	LED D.O.T. Stop, Tail, Turn Clearance
TONGUE	Built-in with Frame	FINISH PREP	Steel Is Cleaned To Ensure Smooth Finish
FRAME	6" Channel x 8.2 Lbs.	FINISH	Superior Quality Paint Is Applied For A Highly Protective Finish
CROSS MEMBERS	3" Channel		
AXLES	Two 6,000# Axles, Electric Brake		