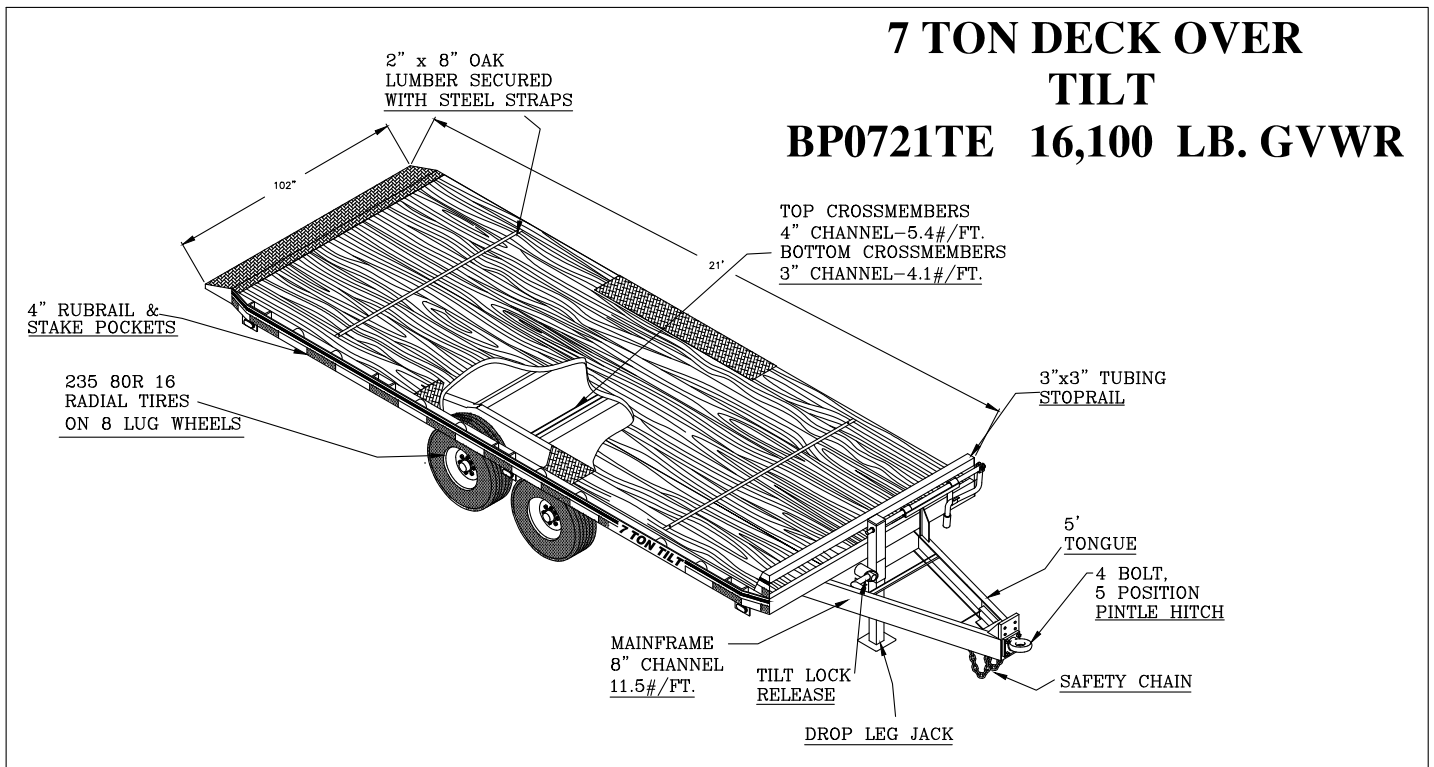




WORKING TRAILERS
FOR A WORKING WORLD



AVAILABLE OPTIONS:

GOOSENECK HITCH
WINCH PLATE
CHAIN STORAGE WITH LOCKING LID
POWER TILT
DUAL OR TWO SPEED JACKS
STEEL TREAD PLATE DECKING
FORK TUBES
CUSTOM COLOR CHOICE
ADDITIONAL TONGUE LENGTH
ALL REQUESTS CONSIDERED

MISCELLANEOUS SPECS:

12 IN. X 2 IN. ELECTRIC BRAKES
(2) COMMERCIAL GRADE, 7,000 LB. CAPACITY AXLES
EMERGENCY BREAK AWAY KIT WITH BATTERY
HIGH VISIBILITY ECONOLINE YELLOW ACRYLIC PAINT
FRACTURE RESISTANT MIG WELDING
SEALED WIRING HARNESS
DOT REQUIRED SAFETY DECALS, LIGHTING, AND
CONSPICUITY MARKINGS INCLUDING TAG LIGHT AND
HOLDER
36 IN. BED HEIGHT FROM GROUND (APPROX.)
LED LIGHTS

Double Springs, Alabama
1-800-624-1866
www.econolinetrailers.com

Model #	BP0721TE	List Revised	03/03/15
---------	----------	--------------	----------